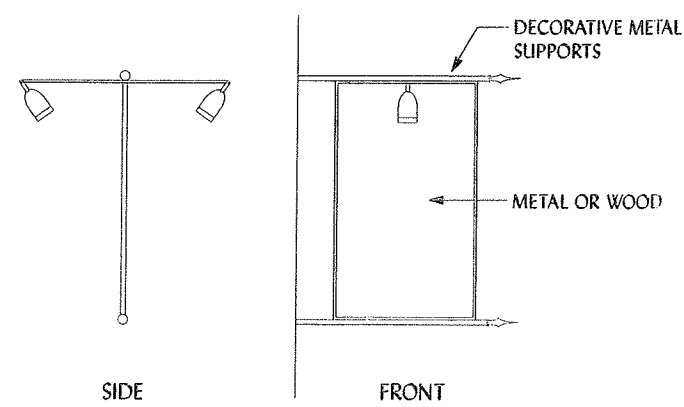
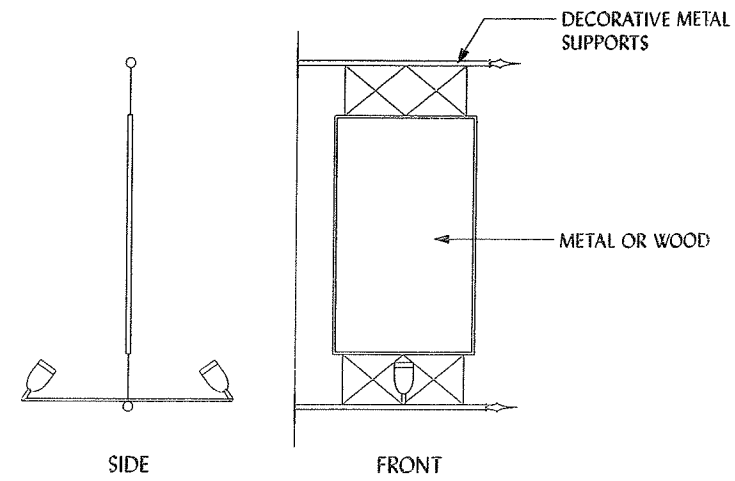


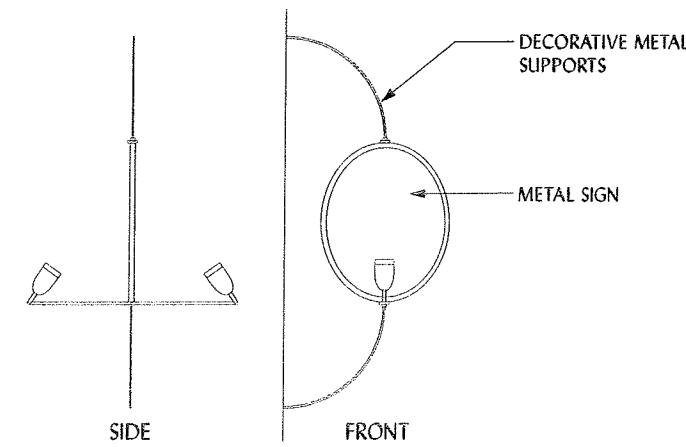
1 **TYPICAL HANGING SIGN - UPLIGHT**  
Scale: NTS - MAXIMUM 6 SF LIGHT FIXTURE TYPE 'A'



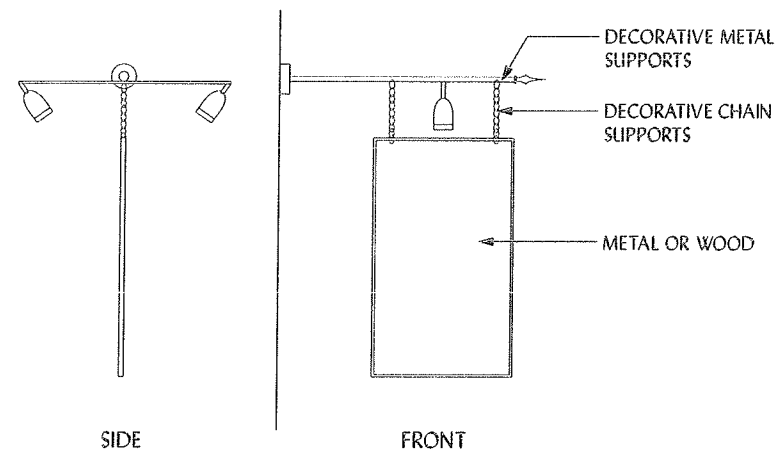
2 **TYPICAL HANGING SIGN - DOWNLIGHT**  
Scale: NTS - MAXIMUM 6 SF LIGHT FIXTURE TYPE 'A'



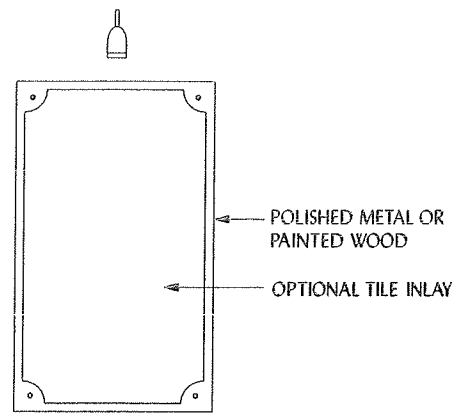
3 **TYPICAL HANGING SIGN - UPLIGHT**  
Scale: NTS - MAXIMUM 6 SF LIGHT FIXTURE TYPE 'A'



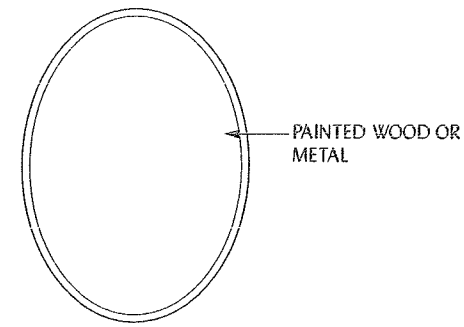
4 **TYPICAL PROJECTING SIGN - UPLIGHT**  
Scale: NTS - MAXIMUM 6 SF LIGHT FIXTURE TYPE 'A'



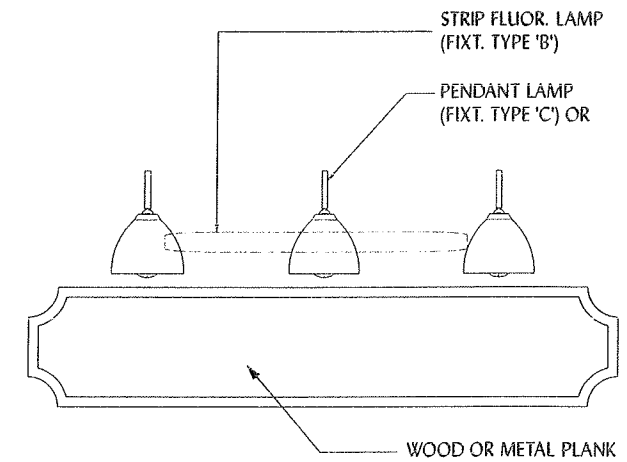
5 **TYPICAL HANGING SIGN - DOWNLIGHT**  
Scale: NTS - MAXIMUM 6 SF LIGHT FIXTURE TYPE 'A'



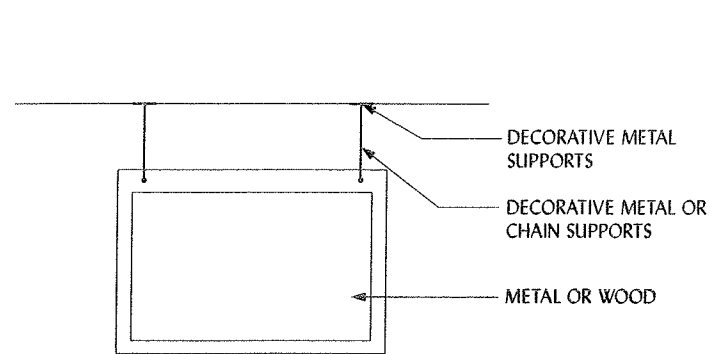
6 **TYPICAL WALL SIGN - PLAQUE SQ.**  
EQUAL TO 1 SF OF EACH LINEAL SF OF TENANT SPACE MAIN ENTRANCE NOT TO EXCEED 100 SF



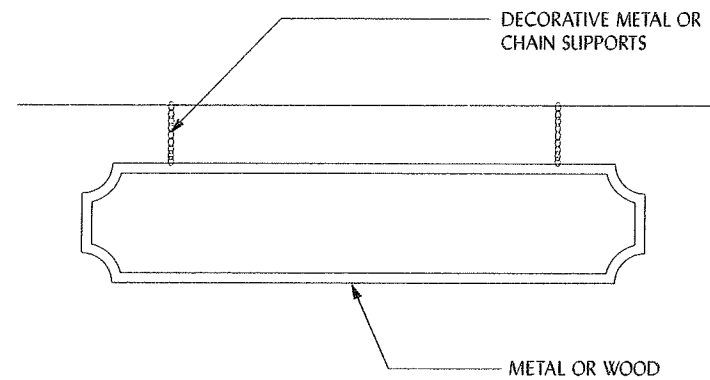
7 **TYPICAL WALL SIGN - PLAQUE OVAL**  
Scale: NTS LIGHT FIXTURE TYPE 'A'  
EQUAL TO 1 SF OF EACH LINEAL SF OF TENANT SPACE MAIN ENTRANCE NOT TO EXCEED 100 SF



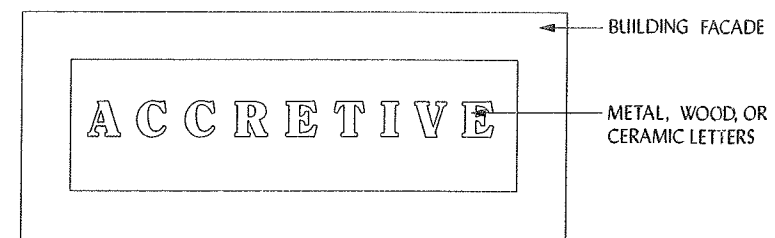
8 **TYPICAL WALL SIGN - FASCIA PANEL**  
Scale: NTS LIGHT FIXTURE TYPE 'B' OR 'C'  
EQUAL TO 1 SF OF EACH LINEAL SF OF SPACE MAIN ENTRANCE NOT TO EXCEED 100 SF



9 **TYPICAL HANGING SIGN - ARCADE**  
Scale: NTS - MAXIMUM 6 SF



10 **TYPICAL HANGING SIGN - ARCADE**  
Scale: NTS - MAXIMUM 6 SF



11 **TYPICAL WALL SIGN - INDIVIDUAL LETTERS**  
Scale: NTS  
EQUAL TO 1 SF OF EACH LINEAL SF OF SPACE MAIN ENTRANCE NOT TO EXCEED 100 SF



12 **TYPICAL WALL SIGN - SUITE #**  
Scale: NTS MAX. 2 PER TENANT SPACE NOT TO EXCEED 4 SF TOTAL